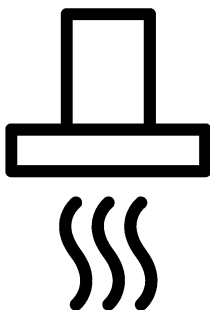


GRUNDIG

Cooker hood

User Manual



GDI 5795 BX

EN

185.7304.65/R.AC/15.11.2019

7702389217

Please read these instructions first before using your appliance

Thank you for choosing a Grundig appliance.

Please take some time to read this user manual before using your appliance, to ensure you know how to safely operate the controls and functions.






Carefully follow all unpacking and installation instructions to ensure the appliance is correctly connected and fitted prior to use.

Please write your product model and serial number on the last page of this user manual, and store in a safe location close to the appliance for easy future reference.

This user manual may also be applicable for several other models. Differences between models will be listed.

If you have any questions or concerns, please call our contact centre or find help and information online at www.grundig.co.uk

Explanation of symbols used throughout this User Manual

	Important information or useful hints about usage.
	Warning of hazardous situations with regard to life and property.
	Warning of electric shock.
	Warning of risk of fire.
	Warning of hot surfaces.



Arçelik A.Ş.
Karaağaç caddesi No:2-6
34445 Sütlüce/İstanbul/TURKEY
Made in TURKEY

TABLE OF CONTENTS

1 Important instructions and warnings for safety and environment **4**

General safety.....	4
Electrical safety.....	5
Product safety	6
Intended use	7
Children's safety.....	7
Disposing of the old product.....	8
Package information.....	8

2 General information **9**

Overview.....	9
Scope of delivery	10
Technical specifications.....	10

3 Installation **12**

Installation.....	12
Future transportation	18

4 Operating the hood **19**

Controller.....	21
-----------------	----

5 Maintenance and care **25**

General information	25
Replacing the lamp	26

6 Troubleshooting **27**

7 Guarantee Details **28**

1 Important instructions and warnings for safety and environment

This section contains safety instructions that will help protect from risk of personal injury or property damage. Failure to follow these instructions shall void any warranty.

General safety

- Risk of Toxicating! While the appliance is operating, air in the entire house is sucked. If adequate ventilation is not provided, waste and toxic gasses which are released as a result of burning will be drawn back into the house through chimney draught. Do not operate the appliance together with sources that may emit toxic gasses and create air draught (wood, gas, oil, and coal stoves, water heaters, kettles, etc.).
- Always have the authorized persons check the adequacy of ventilation and chimney draught in your building.
- The appliance is not intended for use by persons (including children) with reduced physical, sensory or mental capabilities, or lack of experience and knowledge, unless they have been given supervised or instruction concerning use of the appliance by a responsible person for their safety. Young children should be supervised to ensure that they do not play with the appliance. Cleaning and user maintenance procedures should not be performed by the children unless they are under supervision.
- Always have the installation and repair procedures performed by Authorised Service Agent. Manufacturer shall not be held responsible for damages arising from

procedures carried out by unauthorised persons.

- Do not operate the appliance if it is defective or has any visible damage.
- Make sure that the appliance is switched off after every use.
- If the product is handed over to someone else for personal use or second-hand use purposes, the user manual, product labels and other relevant documents and parts should be also given.
- Appliance must be installed by a qualified person in accordance with the regulations in force. Otherwise, the warranty shall become void.

Electrical safety

- To get your product ready for use, firstly you must have installation place and electric wiring prepared. Later, you may call Authorised Service nearest to you.
- If it has a failure, the product should not be operated without being repaired by the Authorised

Service Agent. There is the risk of electric shock!

- Never connect the hood before installation is completed.
- Never touch the plug with wet hands! Do not unplug by pulling from the cable; always hold by the plug to unplug.
- Product must be disconnected from the mains during installation, maintenance, cleaning and repair procedures.
- If the supply cord is damaged, it must be replaced by the manufacturer or its service agent or a similarly qualified person in order to avoid a hazard.
- Never connect power cable near to the hobs. If melted down, cable may lead to fire.
- Any work on electrical equipment and systems may only be carried out by authorised and qualified persons.
- In case of any damage, switch off the product and disconnect it from the

mains. To do this, turn off the fuse at home.

- Make sure that fuse current is compatible with the product.
- Never wash down the product with water! There is the risk of electric shock!

Product safety

- The height between the lower surface of the hood and upper surface of the hob should not be less than 650 mm.
- Never touch the hood's lamp after they operated for a long time. Hot lamps may burn your hands.
- Never operate the product without oil filter. Never remove filters when the product is in use.
- Avoid big flames beneath the product. Otherwise, particles on oil filter may flame up and cause fire.
- Turn on the hobs after placing pans or pots on. Otherwise, rising temperature may deform certain parts of your product.
- Turn off the hobs before taking away pans or pots.
- Avoid inflammable materials under the hood.
- Do not expose the product to open flames beneath it. It can cause oils accumulated in the filter to catch fire. Do not operate the product without filter.
- Never leave the cooker unattended when frying foods, the oil may flame up and boiled oil may cause fire. Thus, be careful about cloths and curtains.
- If the hood is not periodically and properly cleaned, this may cause burning risk on your hood.
- For refreshing the kitchen's air from cooking smells and steams, please turn on your hood for 15 minutes more after cooking or frying has ended.
- There shall be adequate ventilation of the room when the range hood is used at the same time as appliances burning gas or other fuels. (Not applicable to appliances that only discharge the air back into the room)

- In the environment where the hood is being used, the exhaust of fuel oil or gas devices such as room heater must be absolutely insulated or device must be hermetical type.
- If there is a fuel oil or gas device in the environment, the room must be ventilated sufficiently.
- When a non-electrically operated device is concurrently used in the environment together with the hood, the negative pressure in the room must be maximum 0.4 mbar to avoid the hood's returning other device's exhaust into the room.
- Never connect the hood to the chimneys used for heaters, waste gas or with rising flames. Observe authorities' regulations on the draining of output air.
- When connecting to the chimney, use 120-mm diameter pipes. Pipe connection must be as short as possible with fewer bends.
- Do not hang easily flammable and combustible materials on hood handles.
- Our company shall never be responsible for the problems arising from the use against the warnings above.
- There is a risk of fire if cleaning is not carried out in accordance with the instructions.
- Do not flambé under the range hood.
- Caution: Accessible parts may become hot when used with a cooking appliance.
- You are recommended to clean your filter once a month in normal use.

Intended use

This product is designed for domestic use. Commercial use is not admissible. The manufacturer shall not be liable for any damage caused by improper use or handling.

Children's safety

- Keep children away from the product when it is operating and do not allow

them to play with the product.

- Packaging materials are dangerous to children. Keep the packaging materials in a place where children cannot reach and sort and discard them in accordance with the waste disposal directives.
- Electrical products are dangerous to children. Keep children away from the product when it is operating and do not allow them to play with the product.

Disposing of the old product Compliance with the WEEE Directive and Disposing of the Waste Product:



This product complies with EU WEEE Directive (2012/19/EU). This product bears a classification symbol for waste electrical and electronic equipment (WEEE).

This product has been manufactured with high quality parts and materials which can be reused and are suitable for recycling. Do not dispose of the waste product with normal domestic and other wastes at the end of its service life. Take it to the collection center for the recycling of electrical and electronic equipment. Please consult your local authorities to learn about these collection centers.

Compliance with RoHS Directive:

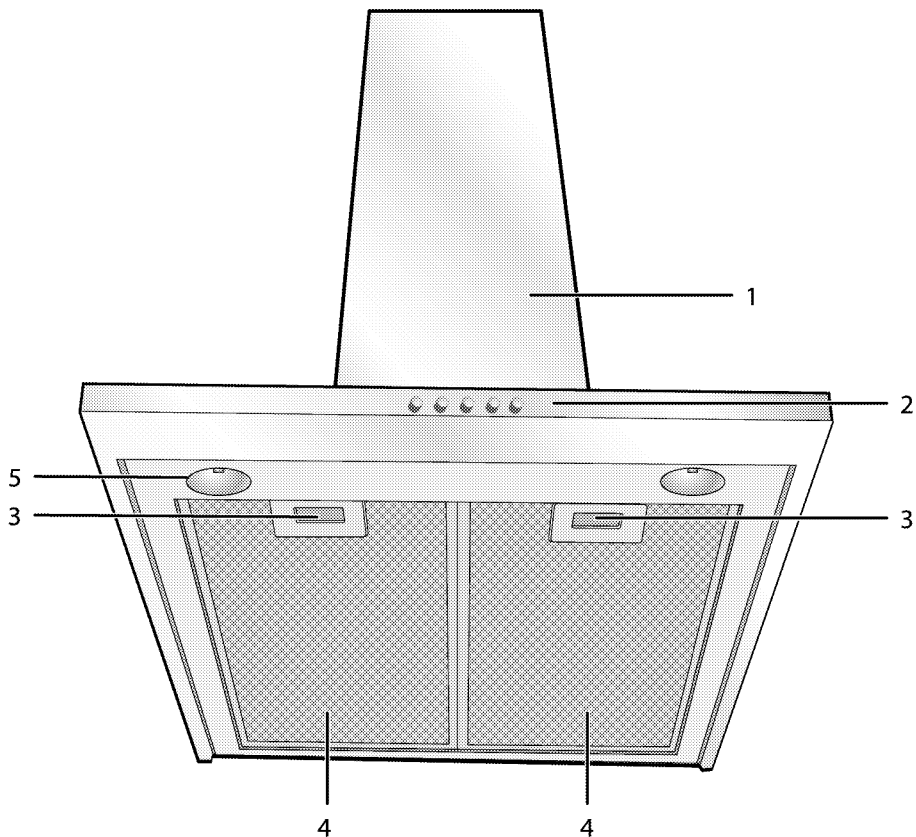
The product you have purchased complies with EU RoHS Directive (2011/65/EU). It does not contain harmful and prohibited materials specified in the Directive.

Package information

- Packaging materials of the product are manufactured from recyclable materials in accordance with our National Environment Regulations. Do not dispose of the packaging materials together with the domestic or other wastes. Take them to the packaging material collection points designated by the local authorities.

2 General information

Overview



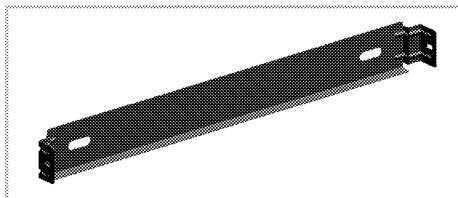
- 1 Hood body
- 2 Control panel
- 3 Aluminum filter lock
- 4 Aluminum filter
- 5 Lamp

Scope of delivery

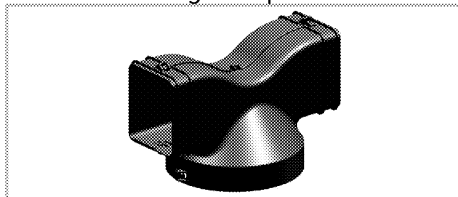


Accessories supplied can vary depending on the appliance model. Not every accessory described in the user manual may exist on your appliance.

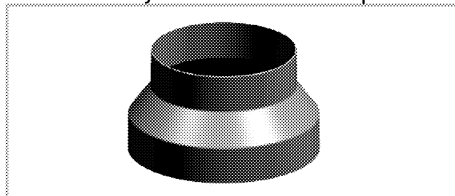
1. User manual
2. Wall connector



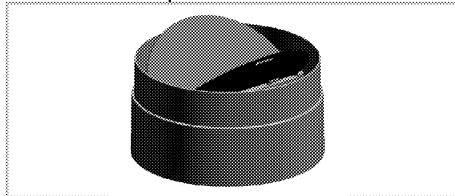
3. Air directing component



4. Chimney connection adapter






5. Valves to prevent reverse air flow



Technical specifications

External dimensions (height/width/depth)	min. 980 mm - max. 1200 mm/898 mm/610 mm
Voltage/frequency	220-240 V ; 50 Hz
Control	3 level + 1 Booster
Suction power	750 m ³ /h
Total power consumption	max. 225 W
Fuse	3 A
Air outlet pipe diameter	120 - 150 mm
LAMP	
Lamp type	
Lamp power consumption	Led 2 W
Max. power of a potential replacement lamp	max.4 x 4 W.Led /max.4 x 28 W.Halogen
Voltage/frequency of lamp	170-200-230 V ; 50/60 Hz
Type of lamp cap	GU10
Diameter/length of lamp	50 mm /55 mm

-  Technical specifications may be changed without prior notice to improve the quality of the product.
-  Figures in this manual are schematic and may not exactly match the product.

-  Values stated on the markings of the product or in other printed documents supplied with the product are obtained under laboratory conditions as per relevant standards. Depending on operational and environmental conditions of the product, these values may vary.

3 Installation

Refer to the nearest Authorised Service Agent for installation of the product. Make sure that the electric installations are in place before calling the Authorised Service Agent to have the product ready for operation. If not, call a qualified electrician and fitter to have the required arrangements made.



Preparation of location and electrical installation for the product is under installer's responsibility.



DANGER:

The product must be installed in accordance with all local electrical regulations.



DANGER:

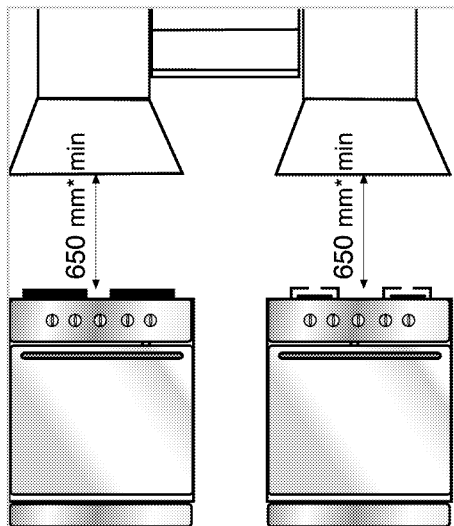
Prior to installation, visually check if the product has any defects on it. If so, do not have it installed. Damaged products cause risks for your safety.



DANGER:

Warning: Failure to install the screws or fixing device in accordance with the instructions may result in electrical hazards.

Installation



* min.

There should be a minimum clearance of 650 mm between the top surface of the hob and the bottom surface of the hood. The air to be extracted via the hood should not be connected to a chimney that is used by other appliances that use gas or other fuels. (It does not apply to devices that only blow the air back into the room)

The regulations on air exhaust should be followed.


Electrical connection

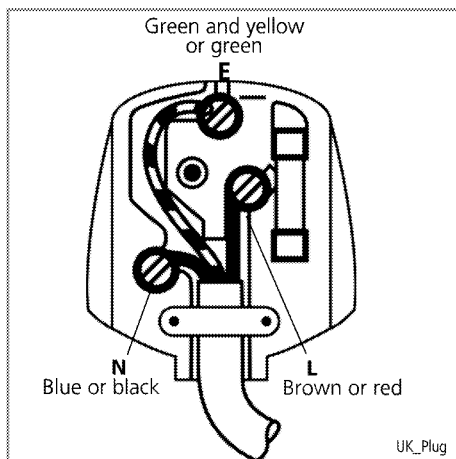
Manufactured with 2-track power cable, this device must be connected to the mains by an electrical switch with at least 3mm clearance between bipolar contact leads. Have the electrical

connections done by a qualified electrician.

- Install your appliance so that you can reach the power connection (plug, outlet) easily after installation.
- An earthed outlet must be installed on basis of the installation location of the chimney or hood.

The moulded plug on this appliance incorporates a 3 A fuse. Should the fuse need to be replaced an ASTA approved BS1362 fuse of the same rating must be used. Do not forget to refit the fuse cover. In the event of losing the fuse cover, the plug must not be used until a replacement fuse cover has been fitted. Colour of the replacement fuse cover must be the same colour as that visible on the pin face of the plug. Fuse covers are available from any good electrical store.

- **Fitting a different plug**
As the colours of the wires in the mains lead of this appliance may not correspond with the coloured markings identifying the terminals on your plug, proceed as follows:
 - Brown cable = L (Live)
 - Blue cable = N (Neutral)
 - Green/yellow cable must be connected to ground (E)  line. With the alternative plugs a 3 A fuse must be fitted either in the plug or adaptor or in the main fuse box. If in doubt contact a qualified electrician.



Installing the hood



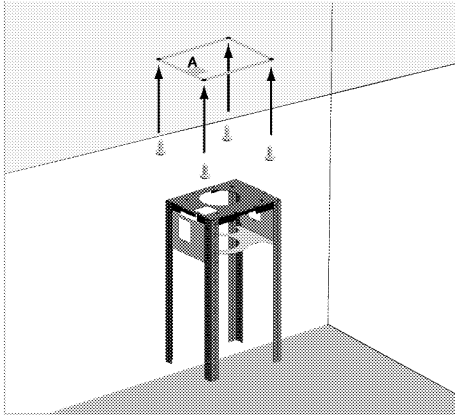
Measurements are in mm.

The following provides necessary information to prepare the location for hood installation.

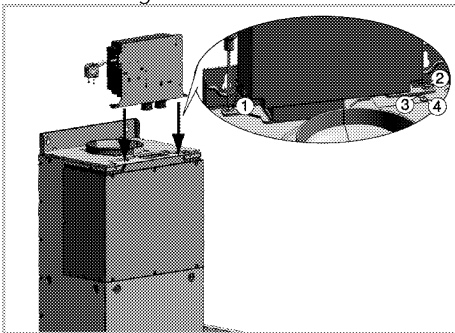
The hood must be installed above the central axis of the cooking appliance. There should be a minimum clearance of 650 mm between the top surface of the hob and the bottom surface of the hood. Please apply the following steps for the hood's installation.

Before installation, determine the total height of the hood carrier assembly and mark the holes for installation on the ceiling.

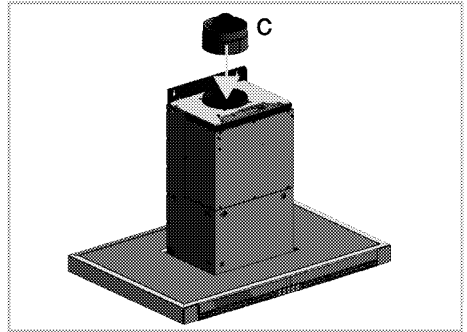
1. Center the cooking appliance and determine your central point on the ceiling. Mark the hole positions of the top assembly of the carrier components provided with the product onto the ceiling and drill the holes for the 4 screws supplied.



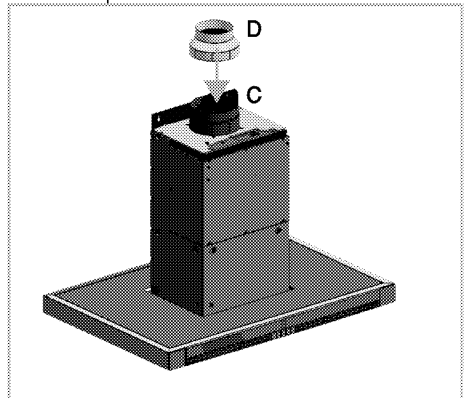
2. Mount the top assembly of the carrier components supplied with the product in a way that it fits these holes. When making electrical connection, an outlet must be installed in a way that it matches with section A indicated in the above figure. There is a gap in this section of the sheet.
3. For electronic models, fix the electronic mainboard into its housing with 4 screws as shown in the figure below.



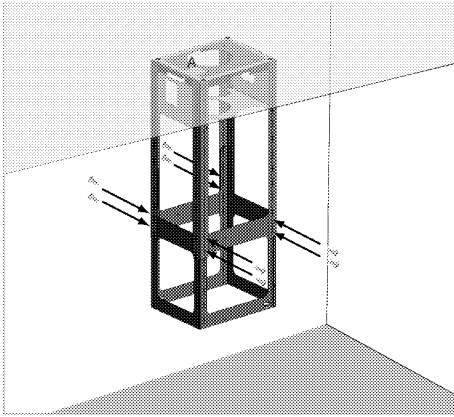
4. As shown in the figure below, place the cover (C) -that prevents reversed air flow- to the chimney outlet.



5. Place the chimney connection adapter (D) onto the cover part (C) that prevents reversed air flow.

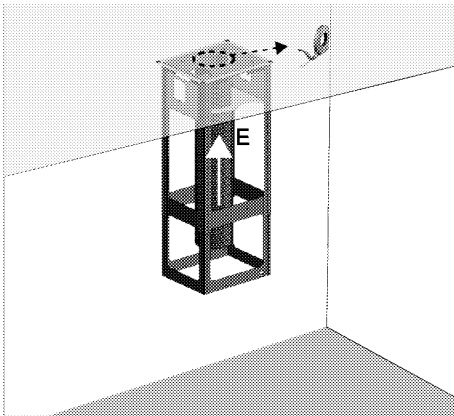


6. Using 8 screws, connect the hood connection body to the carrier connection component that has been attached to the ceiling upon adjusting the hood-hob distance, as shown in the figure.



7. For chimney connection usage:

In chimney-connected position, absorbed air will go through oil filters to the outlet and then will reach to the chimney through connection pipes and finally expelled from the chimney. Connect one end of the chimney connection pipe (E) to the chimney outlet by passing it through the main body that has been mounted to the ceiling (you can use tape to secure it).



You should make sure that the chimney connection pipes used are made of fireproof plastic material. When using flexible connection pipe,

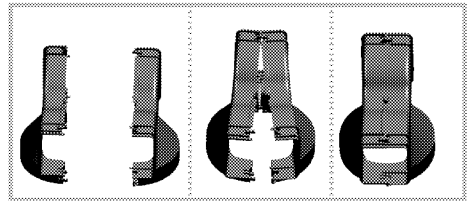
it should be considered that sharp corners and sudden contractions will have a negative impact on air suction. The hood must never be connected to a chimney to which another device was already connected.



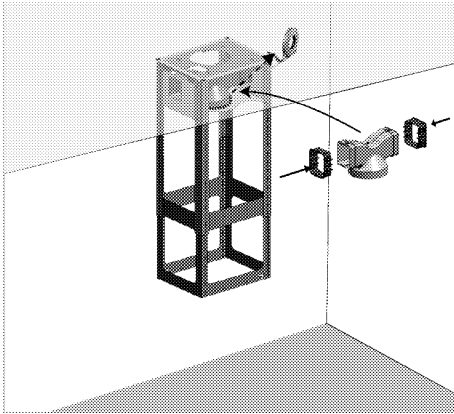
Connection pipe should not be larger than 120 mm; otherwise, proper chimney connection will be prevented.

8. Internal circulation (Use with carbon filter)

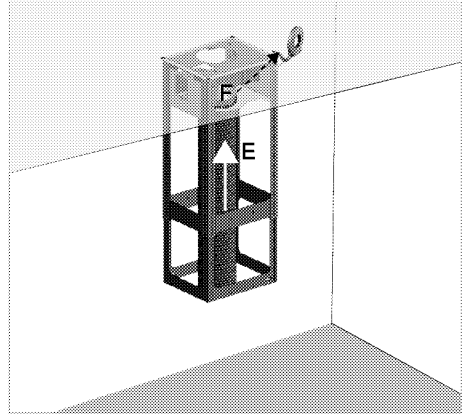
In the position of internal circulation, the air absorbed from the environment will go through aluminium filters and carbon filters, where the smell is eliminated, and pass through air directing component, it is finally sent back to the environment through the ventilation grills on the side of the chimney piece.



Assemble the air directing component, that is provided as two separate parts, as shown in the figure.

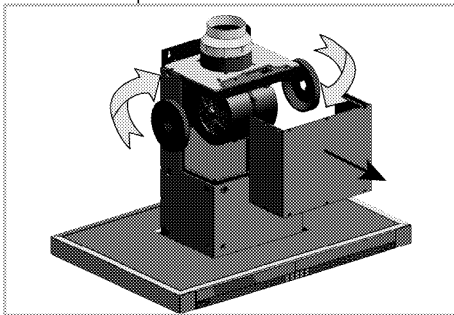


Fix the air directing component's extension parts onto the sides as shown in the figure above. Then place the air directing component into its housing that is found on the upper side of the connection body as shown in the figure. You can use tape on the end parts of the extension parts to secure.



Connect one end of the chimney connection pipe (E) to the air directing component's outlet (F) by passing it through the main body that has been mounted to the ceiling (you can use tape to secure it).

You should make sure that the chimney connection pipes used are made of fireproof plastic material. When using flexible connection pipe, it should be considered that sharp corners and sudden contractions will have a negative impact on air suction. The hood must never be connected to a chimney to which another device was already connected.



Remove the front cover plate on the hood body to attach the carbon filters. Place lug slots of carbon filters to the lugs on motor carrier as shown in the above figure and turn counter-clockwise to fix in place. Apply the same procedure for the motor carrier on the other side. Fix the front cover plate into its place again using the screws.

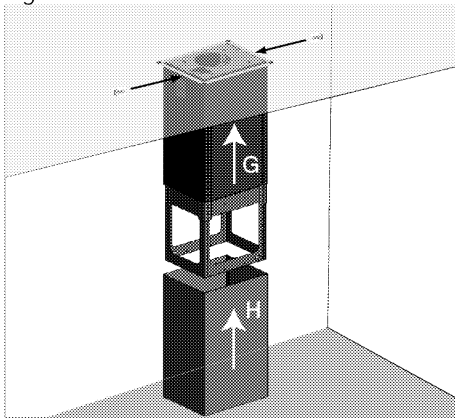
i Connection pipe should not be larger than 120 mm; otherwise, proper chimney connection will be prevented.



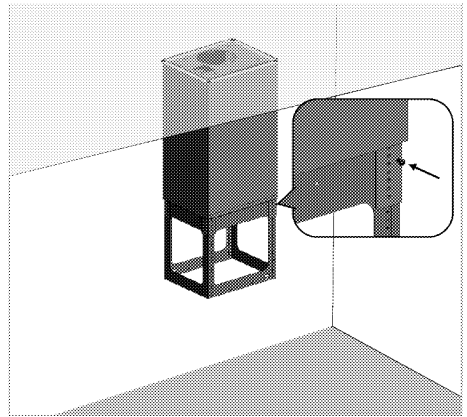
Failure to clean and service oil filters periodically and failure to replace carbon filters at the end of service life (approximately 4 months) may have the risk of causing fire.

9. Installation of chimney

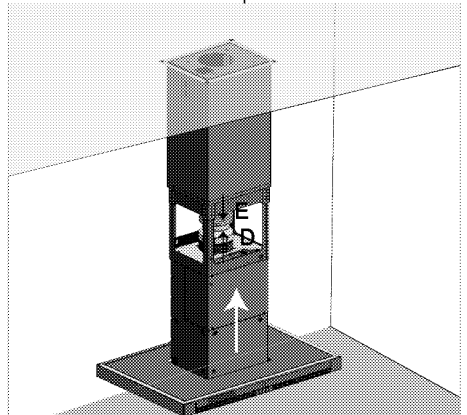
Pass the upper chimney casing (G) through the connection body and fix it using two screws as shown in the figure.



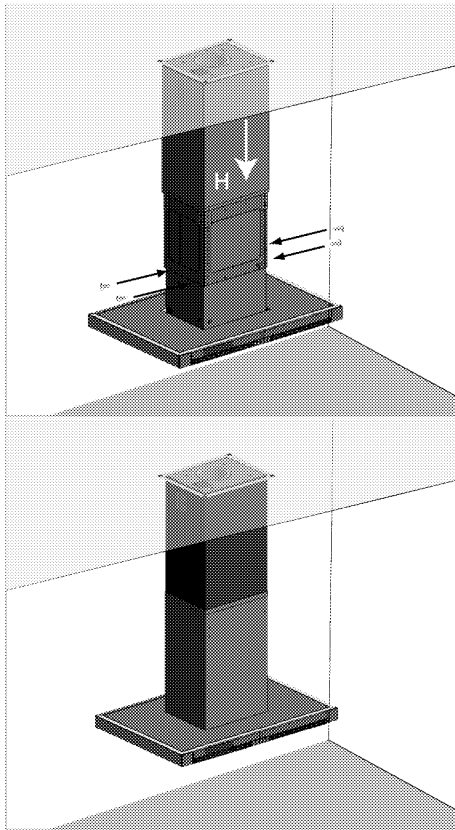
Pass the lower chimney casing (H) through the connection body and attach it onto the upper chimney casing. Attach a screw to one of the holes on the main body as shown in the figure (do not tighten it too much) to prevent the lower chimney casing from falling.



10. Pass the upper body of the hood through the main body that has been mounted. While the hood is in this position, attach the air outlet pipe (E) to the chimney connection adapter (D).



11. Using 4 screws, fix it to the main body as shown in the figure. Remove the screw that secures the lower chimney and take down the lower chimney as shown.



You may use the hood in two ways:

1-Chimney-connected use

The steam is expelled via chimney pipe which is secured to the connection ring on the hood. Diameter of chimney pipe should be equal to connection ring. To allow the air easily going out of the room in horizontal arrangements, the

pipe should be slightly tilted upwards (approximately 10°).

i If the carbon filter is installed on your hood, remove it when using the hood with the chimney.

2- Use with no chimney connection

Air is filtered through carbon filter and returned to the room. Carbon filter is used when there is no chimney in the house or when it is impossible to install a chimney pipe.

- Install the carbon filter as described in the installation section.

Future transportation

- Keep the product's original carton and transport the product in it. Follow the instructions on the carton. If you do not have the original carton, pack the product in bubble wrap or thick cardboard and tape it securely.

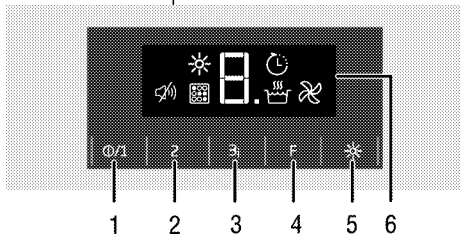
i Do not place any objects onto the product and move it in upright position.

i Check the general appearance of your product for any damages that might have occurred during transportation.


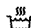


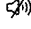

4 Operating the hood

Hood is equipped with a motor with various speed settings.

For a better performance, we advise you to use low speeds in normal conditions, and high speeds when smell and vapors are intensified.



- 1 On/off button / Speed1
- 2 Speed2
- 3 Speed3 / Booster
- 4 Function key
- 5 Lamp key
- 6 Display

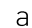
-  Auto off symbol
-  Booster symbol
-  Filter full warning symbol
-  Air filter mode symbol
-  Quiet mode symbol
-  Lamp symbol

Operating the hood


1. To turn on the hood, touch the on/off key.
2. To change the speed, touch Speed2 and Speed 3 keys.
» Speed level of the hood shall be displayed.

i If you do not touch any key while the product is operating, the lamp and the levels work up to 6 hours.

Auto off mode

1. Touch the function key when the appliance is operated at a certain speed. Auto off mode will be activated and  symbol is displayed.
2. Appliance shall be turned off automatically after operating for 20 minutes at the set level.
3. Touch the function key to disable the auto-off mode.
4. The auto-off mode cannot be cancelled by touching the lamp and speed level keys.

Activating intense ventilation mode (Booster)

Touch the speed3 key for more than two seconds. Intense ventilation mode will be activated and P and  symbol shall be displayed, and the appliance will be active for maximum 10 minutes. After 10 minutes, it will continue to operate in Speed 3 position.

During intense ventilation, if any of the speed keys is touched then the operation will continue in that speed level.

Turning off the hood

1. Touch the off key for 2 seconds while your hood is operating at a certain speed.

Operating the lamp

1. Touch the lamp key to turn on the lamp.

Lamp illuminates and * symbol is displayed.

Turning off the lamp

1. To turn off the lamp, press the lamp switch with short intervals until * symbol disappears.

Lamp is turned off and the * symbol on the display disappears.




Off key does not turn off the lamp, it only stops operation of the hood.

Changing the lamp light level

You can set the lamp to 3 levels.

1. Press the lamp button and then it will turn on and 1st level is selected. Press the lamp button to increase the lighting level. Each press will increase the level by 1. After the last level, the lamp will turn off.

Air filter mode

1. Touch the function key when the appliance is not operated at any speed.
» Air filter mode will be activated and C and  symbol is displayed.
2. Air filter mode will operate for 10 minutes at speed 1 level and then stops for 50 minutes within 1 hour. If the air filter mod will not turned off, it will continue to operate for 10 minutes and stops 50 minutes for each each hour during 24 hours.



You can utilize air filter mode to remove odor found in-house in long term using low speed.

Turning off the air filter mode

1. Turn off the air filtering mode by touching any speed key or touching the off key while the air filtering mode is active.




While the air filter mode is active, when you turn on and off the appliance at any speed level, air filter mode shall not be remembered.



While the air filter mode is active, the program will be canceled if there is a blackout.


Filter full warning

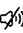
After every 100 hours operation, F symbol and the set level flashes in turn on the display. Also,  symbol appears on display. Clean your filter. Filter full warning will not reset automatically after cleaning. Filter full warning may be reset by pressing function and speed3 buttons for 3 seconds simultaneously.



When the hood gave filter full warning, the warning will not be reset if there is a blackout.

Quiet mode

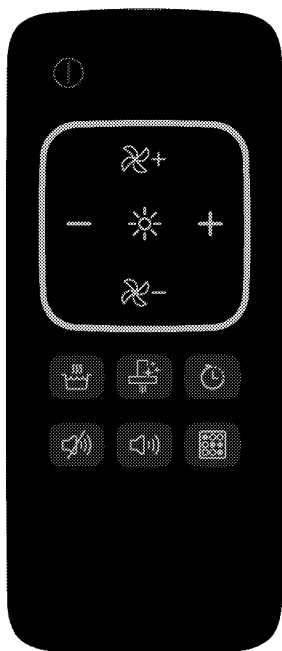
You may prevent key clicks from the hood by activating the quiet mode. Touch the function key until  symbol is displayed to switch to


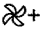



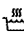


quiet mode. Touch the function key until  symbol is disappeared from the display to cancel the quiet mode.

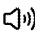



Controller

You may also control your appliance with the remote controller.

The dot sign on the display flashes twice for each operation of the controller keys when the hood is operated with the controller





-  On/off button
-  Increase speed button
-  Decrease speed button
-  Air filter mode button
-  Auto off button
-  Booster button
-  Filter full warning off button
-  Quiet mode button

-  Quiet mode cancel button
-  Lamp button
-  Lamp lighting level increase button
-  Lamp lighting level decrease button

Operating the hood with the controller

1. To turn on the hood, touch the on/off key on the controller.
 - » Hood starts to operate at speed 1.
2. Press Speed increase and/or Speed decrease buttons to change the speed level.
 - » Speed level of the hood shall be displayed.

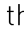

 Never press on two buttons at the same time.

 If you do not touch any key while the product is operating, the lamp and the levels work up to 6 hours.

Turning off the hood with the controller



1. Press on the on/off key on the controller when the hood is operating in a certain speed.

Turning the auto off mode on with the controller

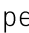

1. Press the  button on the controller while the appliance is operated at a certain speed. Auto off mode will be activated and  symbol is displayed.

2. Appliance shall be turned off automatically after operating for 20 minutes at the set level.

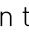

Activating intense ventilation mode (Booster) with the controller

Press the  button on the controller while the appliance is operated at any speed level. Intense ventilation mode will be activated and P and  symbol shall be displayed, and the appliance will be active for maximum 10 minutes. After 10 minutes, it will continue to operate in Speed 3 position. Press speed increase or decrease buttons to quit the intense ventilation mode. Operation will continue in the selected speed level.

Operating the lamp with the controller

1. Press on the button  to operate the lamp.
» Lamp illuminates and  symbol is displayed (In models with lamp symbol on the screen).

Turning off the lamp with the controller

1. Press on the lamp  again to turn off the lamp.
» Lamp is turned off and the  symbol on the display disappears (In models with lamp symbol on the screen).

Changing the lamp light level via the controller

You can set the lamp to 3 levels.

1. Pressing + switch will increase the lighting level.
2. Pressing - switch will decrease the lighting level.





You may turn the lamp on and off while hood is turned off.



On/Off button does not turn off the lamp, it only stops operation of the hood.

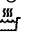
Turning the air filtering mode on with the controller

1. When the appliance is not operated, press  button without pressing on/off button on the controller.
» Air filter mode will be activated and C and  symbol is displayed.
2. Air filter mode will operate for 10 minutes at speed 1 level and then stops for 50 minutes within 1 hour. If the air filter mod will not turned off, it will continue to operate for 10 minutes and stops 50 minutes for each each hour during 24 hours.



You can utilize air filter mode to remove odor found in-house in long term using low speed.



Turning the air filtering mode off with the controller

1. Turn off the air filtering mode by pressing speed increase, on/off key or  key while the air filtering mode is active.

i While the air filter mode is active, when you turn on and off the appliance at any speed level, air filter mode shall not be remembered.

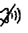
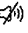
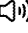
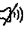
i While the air filter mode is active, the program will be canceled if there is a blackout.

Turning off the filter full warning with the controller

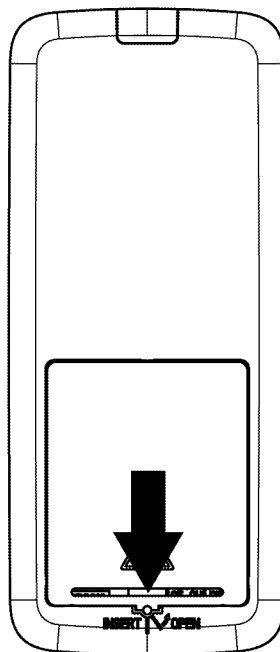
After every 100 hours operation, F symbol and the set level flashes in turn on the display. Also,  symbol appears on display. Clean your filter. Filter full warning will not reset automatically after cleaning. Press the  button on the control to turn off the filter full warning.

i When the hood gave filter full warning, the warning will not be reset if there is a blackout.

Activating the quiet mode with controller

You may prevent key clicks from the hood by activating the quiet mode. Press the  button on the controller to switch to quiet mode.  Symbol appears on display. Press  button to activate key clicks by canceling the quiet mode.  symbol disappears.

Replacing the battery of the controller



1. Remove the cover from the point indicated with arrow and open the battery compartment.
2. Place the CR2016 type battery.
3. Close the cover of battery compartment.

i Batteries may be dead if your appliance does not react completely to the commands given by the controller. Discharged batteries shall never be kept in battery compartment.

i Manufacturer shall not be held responsible for damages caused by used batteries.

Note on the environment



This symbol, available on the battery or on the product package, indicates that the battery delivered with this product shall not be considered as universal waste. This symbol may be used with a chemical symbol on some batteries. HG chemical symbol is added if the

amount of mercury in the batteries is higher than 0.0005%; and Pb chemical symbol is added if the amount of lead in the batteries is higher than 0.004%. Including the ones without heavy metals, batteries shall not be disposed with household waste. Please dispose of used batteries in an environmentally friendly manner. Learn the regulations in your local area.

5 Maintenance and care

General information

Service life of the product will extend and frequent problems will decrease if the product is cleaned at regular intervals.



DANGER:

Disconnect the product from mains supply before starting maintenance and cleaning works.

There is the risk of electric shock!

- Clean the product thoroughly after each use. In this way it will be possible to remove cooking residues more easily, thus avoiding these from burning the next time the appliance is used.
- No special cleaning agents are required for cleaning the product. Use warm water with washing liquid, a soft cloth or sponge to clean the product and wipe it with a dry cloth.
- Do not use cleaning agents that contain acid or chloride to clean the stainless or inox surfaces and the handle. Use a soft cloth with a liquid detergent (not abrasive) to wipe those parts clean, paying attention to sweep in one direction.



The surface might get damaged by some detergents or cleaning materials.

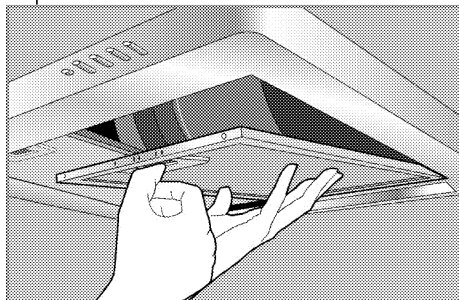
Do not use aggressive detergents, cleaning powders/creams or any sharp objects during cleaning.



Do not use steam cleaners for cleaning.

Aluminum filter

This filter captures oil particles in the air. **You are recommended to clean your filter once a month in normal use.** Please firstly remove aluminum filters for this process. Wash the filters in liquid-detergent water and install them after drying. Aluminum filters might change colour in time due to washing. This is normal and you don't need to replace the filter.



You can also wash aluminum filters in dishwasher.

Removing aluminum filters

1. Push aluminum filter lock forward.
2. Slightly lower the filter and pull forth. Otherwise, you may bend the filter.
3. After washing, reverse the steps above to re-install the aluminum filter.

Carbon filter (Use without chimney)



Carbon filter should never be washed.

It should be replaced once every 4 months in normal use. You may obtain carbon filters from the Authorised Service.

Replacing the lamp



DANGER:

Before replacing the lamp, make sure that the product is disconnected from mains in order to avoid the risk of an electrical shock. If hot, let the lamp cool down.

Hot surfaces may cause burns!



For the specifications of the lamp, see *Technical specifications, page 10*. Oven lamps can be obtained from Authorised Service Agents.



Position of lamp might vary from the figure.



The lamp used in this appliance is not suitable for household room illumination. The intended purpose of this lamp is to assist the user to see foodstuffs.

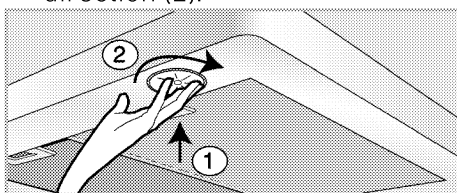


WARNING



Use only with self-shielded tungsten halogen lamps or self-shielded metal halide lamps.

1. Remove the lamp pressing it towards its seat in clockwise direction (1) and then remove turning it in counterclockwise direction (2).



2. Insert the new lamp turning it in clockwise direction.
3. A "click" will be heard when the lamp is secured in its place.

6 Troubleshooting

Product does not operate.

- The mains fuse is defective or has tripped. →→→ *Check fuses in the fuse box. If necessary, replace or reset them.*
- Product is not plugged into the socket. →→→ *Check the plug connection.*
- Speed button might not be set. →→→ *Press the required speed button.*
- Power is cut. →→→ *Check if there is power. Check the fuses in the fuse box. If necessary, replace or reset the fuses.*

Hood light does not work.

- Hood lamp is defective. →→→ *Replace the hood lamp.*
- Power is cut. →→→ *Check if there is power. Check the fuses in the fuse box. If necessary, replace or reset the fuses.*



Consult the Authorised Service Agent or the dealer where you have purchased the product if you cannot remedy the trouble although you have implemented the instructions in this section. Never attempt to repair a defective product yourself.

7 Guarantee Details

GRUNDIG UK AND IRELAND STANDARD MANUFACTURER GUARANTEE TERMS AND CONDITIONS

Your new Grundig product is guaranteed against faulty materials, defective components or manufacturing defects.

The standard guarantee starts from the date of original purchase of the product, and lasts for a period of thirty six (36) months unless Beko plc (the “Manufacturer”) agrees to extend the guarantee for the product in writing.

If you have registered the product within 90 days of purchase by completing the online registration form, then the standard 36 month guarantee will be extended to 60 months, under the same terms and conditions as detailed below

If you have any questions about the guarantee on your product (including how long it is valid), please contact your retailer or our contact centre on 0333 207 9920 (UK and Northern Ireland) or 01 691 0203 (Republic of Ireland)

This guarantee does not in any way diminish or affect your statutory rights in connection with the product. This guarantee is in addition to your statutory rights as a consumer. If you have any questions about these rights, please contact the retailer from which you purchased the product. In certain circumstances, it is possible that your statutory rights may offer additional or higher levels of protection than those offered under the terms of this guarantee.

What is covered by this guarantee?

- Repairs to the product required as a result of faulty materials, defective components or manufacturing defects.
- Functional replacement parts to repair a product.
- The costs of a Grundig Approved Engineer to carry out the repair.

What is not covered?

- Transit and delivery damage.
- Cabinet or appearance parts, including but not limited to control knobs, flaps and handles.
- Accessories and/or consumable items including but not limited to ice trays, scrapers, cutlery baskets, filters and light bulbs.
- Repairs necessary as a direct or indirect result of:
 - Accidental damage, misuse or abuse of a product.
 - An attempted repair of a product by anyone other than a Grundig Approved Engineer (the “Engineer”).

- Installation or use of a product where such installation or use fails to meet the requirements contained in this guarantee or the User Instructions Booklet.
- Repairs to a product operated at any time on commercial or non-residential household premises (unless we have previously agreed to the installation environment).

This guarantee is limited to the cost of repairing the product. To the extent permitted by law, the Manufacturer does not accept and will not be held liable for any financial loss incurred in connection with the failure of any product to operate in accordance with the expected standards. Such financial loss includes but is not limited to loss arising from:

- Time taken off work.
- Damaged food, clothing or other items.
- Meals taken at restaurants or from takeaways.
- General compensation for inconvenience.

Important Notes

1. Your product is designed and built for domestic household use only.
2. The guarantee will automatically be void if the product is installed or is used in commercial or non-residential domestic household premises, unless we have previously agreed to the installation environment.
3. The product must be correctly installed, located and operated in accordance with the instructions contained in the User Instructions Booklet provided with your product.
4. Professional installation by a qualified Electrical Domestic Appliance Installer is recommended for all Washing Machines, Dishwashers and Electric Cookers (as incorrect installation may result in you having to pay for the cost of repairing the product).
5. Gas Cookers must be professionally installed by a Gas Safe (or Gas Networks Ireland for Republic of Ireland) registered gas installer.
6. This guarantee is given in respect of products purchased and used within the United Kingdom and the Republic of Ireland.
7. This guarantee is effective from the initial date of purchase of a new product from an authorised retailer and will be void if the product is resold.
8. This guarantee does not apply to graded sales (where the product is purchased as a "second").
9. Possession of a copy of these terms and conditions does not necessarily mean that a product has the benefit of this guarantee. If you have any questions, please call our Call Centre on the number set out above.
10. The Manufacturer reserves the right to terminate the guarantee if its staff or representatives are subjected to physical or verbal abuse in the course of carrying out their duties.
11. Optional extras, where available (i.e. extendable feet) are supplied on a chargeable basis only.

Does Grundig offer replacements?

This is a repair-only guarantee. On occasion, the Manufacturer may at its sole discretion, replace your product with a new product instead of carrying out a repair. Where a replacement is offered, this would normally be an identical model but when this is not possible, a model of similar specification will be provided. The Manufacturer will cover the costs and arrange for the delivery of the new product and for the return of the old product. Any costs related to disconnecting the faulty product and installing the replacement product will not be borne by the Manufacturer unless previously agreed to in writing. The original guarantee will continue to apply to the replacement product; the new product will not come with a new guarantee.

When will the repair take place?

Our Engineers work Monday to Friday 9.00am to 5.00pm. Appointments outside these hours may be possible at the sole discretion of the Manufacturer but cannot be guaranteed. Whilst our Engineers will endeavour to minimize inconvenience and to meet requests for specific timed appointments, this cannot be guaranteed. We will not be liable for delays or if it is unable to carry out a repair because a convenient appointment cannot be arranged.

Will there be any charge for the repairs?

It is your responsibility to provide evidence to the Engineer that your product is covered by this guarantee with a proof of purchase. The Manufacturer reserves the right to charge for the reasonable cost of any service call if:

- You cannot provide evidence that your product is covered by this guarantee.
- Where a service call has been made and the engineer finds that there is no fault with your product.
- That your product has not been installed or operated in accordance with the User Instructions Booklet.
- That the fault was caused by something other than faulty materials, defective components or manufacturing defects.
- For missed appointments.

Payment of these costs are due immediately upon the Engineer providing you with an invoice. The Manufacturer reserves the right to terminate the guarantee if you fail to pay the costs for the service call in a timely manner.

If you are a resident of the United Kingdom, this guarantee will be governed by English law and subject to the English Courts, save where you live in another part of the United Kingdom, in which case the law and courts of that location will apply.

If you are resident in the Republic of Ireland, this guarantee will be governed by Irish law and the Irish courts will have jurisdiction.

This guarantee is provided by Beko plc. Beko House, 1 Greenhill Crescent, Watford, Hertfordshire. WD18 8QU.

Beko plc is registered in England and Wales with company registration number 02415578.

GRUNDIG UK AND IRELAND ECO INVERTER MOTOR GUARANTEE TERMS AND CONDITIONS

This 10 year guarantee relates to Grundig products that feature the Eco Inverter Motor.

The Eco Inverter Motor guarantee terms and conditions are in addition to our Standard guarantee terms and conditions detailed in the previous section.

In order to activate the 10 year guarantee you **MUST** register the appliance within 90 days of the original purchase date. You can register by first visiting grundig.co.uk/register and by following the online instructions.

Grundig Free standing and Built-in appliances come with a 36 month parts and labour guarantee as standard, which can be extended to a 60 months parts and labour guarantee by registering within 90 days of the original purchase date.

To make a claim against your Grundig Eco Inverter Motor Guarantee (the "Guarantee"), all customer and product details must be registered with Beko plc using the procedure outlined below.

1. This extra 7 years (or 5 years for appliances registered within 90 days of the original purchase date) Guarantee is only effective after the expiration of the standard manufacturer's guarantee.
2. It is only valid for the Eco Inverter motors of selected washing machines, washer-dryers, tumble dryers and dishwashers. It does not cover any labour charge or any other components of the product. In addition, it is only valid for one replacement of the Eco Inverter motor during the extra 7 years (or 5 years for appliances registered within 90 days of the original purchase date) guarantee period.
3. To activate your guarantee, you **MUST** register your appliance within 90 days of the original purchase date, by visiting Grundig.co.uk/register.
4. Customers will receive a unique reference code as proof of guarantee validation by email or post, which must be quoted at the time of a claim being made.
5. Any repair/replacement of the Eco Inverter motor must only be carried out by an authorised Grundig Service Agent (the "Service Agent").
6. Labour for the repair/replacement of the Eco Inverter motor is not included in this guarantee and is chargeable directly by the Service Agent.
7. Any additional components fitted to the product at any time will not be covered by this guarantee and will be chargeable directly by the Service Agent.
8. The guarantee is not transferable and cannot be exchanged for cash.

9. There are no alternative or additional offers to this Guarantee.
10. The guarantee is exclusive of the manufacturer's standard guarantee
11. The Terms and Conditions shown above are in addition to the standard terms and conditions of your product guarantee. Please read and refer to such Terms and Conditions when making any claim.
12. We may use the information you provide for marketing purposes and to analyse your purchasing preferences. We may keep your information for a reasonable period for these purposes in accordance with the applicable Data Protection Laws and General Data Protection Regulations (GDPR). You can opt into this service during the registration process. Further details are available at <http://www.Grundig.co.uk/cookie-and-privacy>.
13. These Terms and Conditions are governed by the laws of England and Wales; manufacturer: Beko plc, Beko House, 1 Greenhill Crescent, Watford WD18 8QU. Company Registration Number: 02415578.

HOW TO OBTAIN SERVICE FOR YOUR APPLIANCE

Please keep your purchase receipt or other proof of purchase details in a safe place; you will need to have this documentation available should the product require attention under guarantee.

Please take a few moments to complete the details below, as you will need this information when you call us, or to use our online services. When you call us you may be required to input your serial number into your telephone keypad. For help please visit grundig.co.uk/support/model-finder

- The product model number is printed on the Operating Instruction Booklet / User guide
- The product model and serial number is printed on the Rating Label affixed to the appliance.
- The Retailer (Purchased from) and Date of purchase will be printed on your purchase receipt or other proof of purchase paperwork

Recording of these details alone will not count as proof of purchase. A valid proof of purchase is required for requesting service under guarantee.

Model number	Serial number	Purchased from	Date of purchase

For service under guarantee or for product advice please call our Contact centre

Before requesting service please check the troubleshooting guide in the Operating Instructions booklet, as a charge may be levied where no fault is found, and even though your product may still be under guarantee.

After arranging service the area around the product must be easily accessible to the Engineer, without the need for cabinets or furniture to be removed or moved.

It is your responsibility to ensure our Engineers have a clean and safe environment to carry out any repairs.

Please have your Model number and Serial number available when you call us, as you may be required to input your serial number into your telephone keypad during your call.

UK Mainland & Northern Ireland:

0333 207 9920

Landline or mobile calls to 0333 numbers cost no more than calls to geographic numbers 01 or 02, and are charged at the basic rate. Calls from landlines and mobiles are included in free call packages but please check with your telephone service provider for exact call charges.

Republic of Ireland:

01 691 0203

Service once the manufacturers guarantee has expired

If you have purchased an extended guarantee please refer to the instructions contained within the extended guarantee agreement document, otherwise please call us using the appropriate number above, where service can be obtained at a charge.

Should you experience any difficulty in obtaining service please call us on **0333 207 9920** or **01 691 0203**

Contact us though our website

Send us a secure message through our online contact us form. Please visit our website, click Contact Us and choose a product support topic from the list of options. Complete the required details and click send message.

Product registrations

For UK and Republic of Ireland product registrations please visit grundig.co.uk/register.

